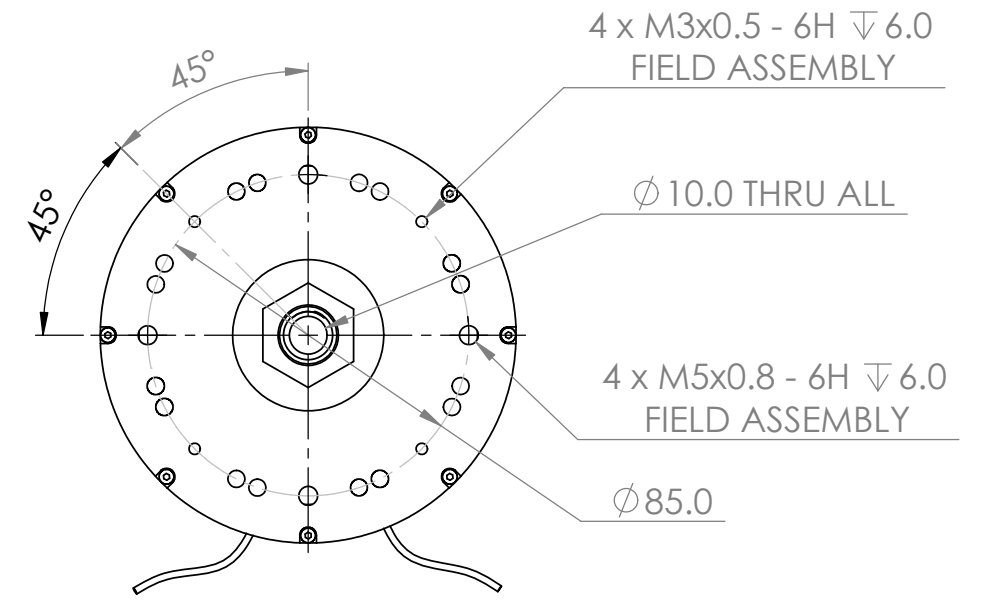
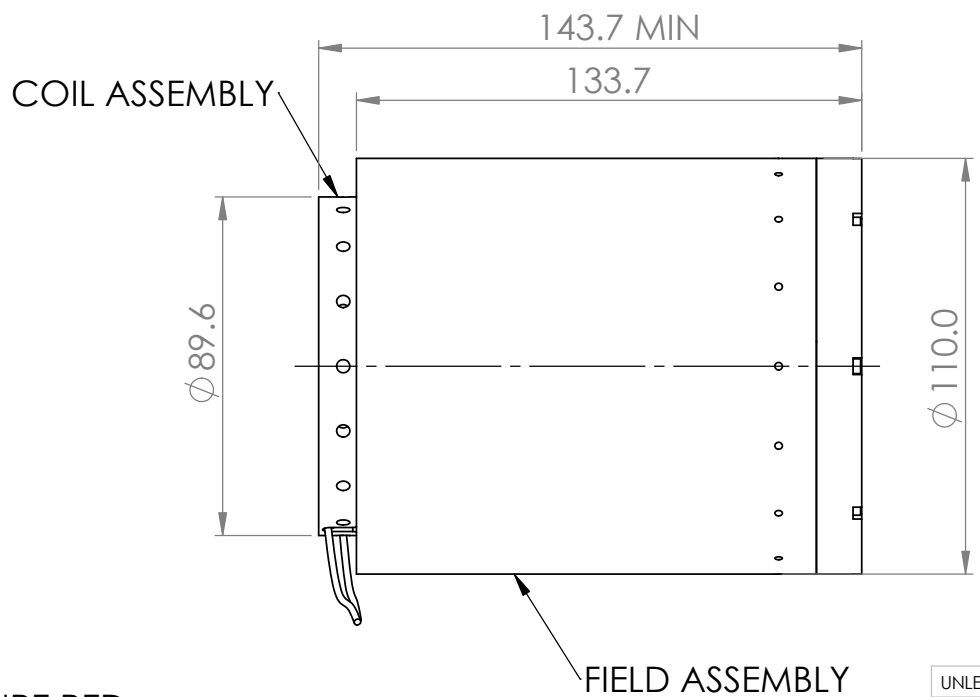
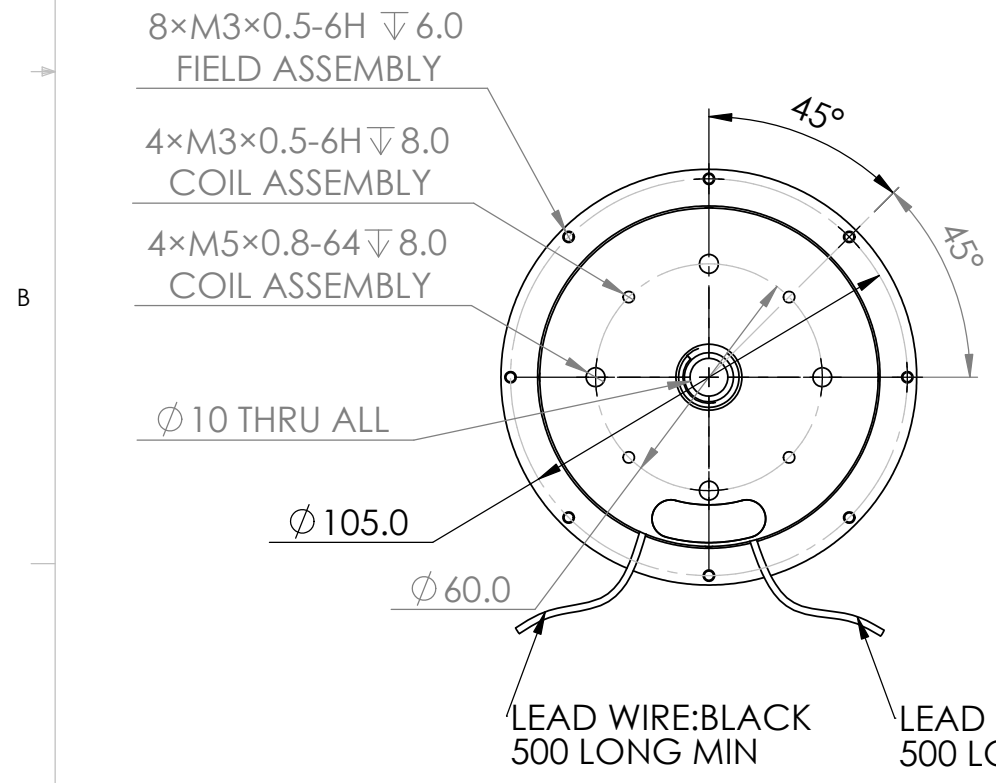
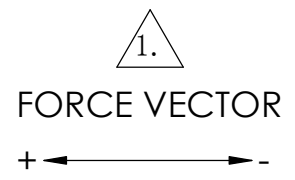
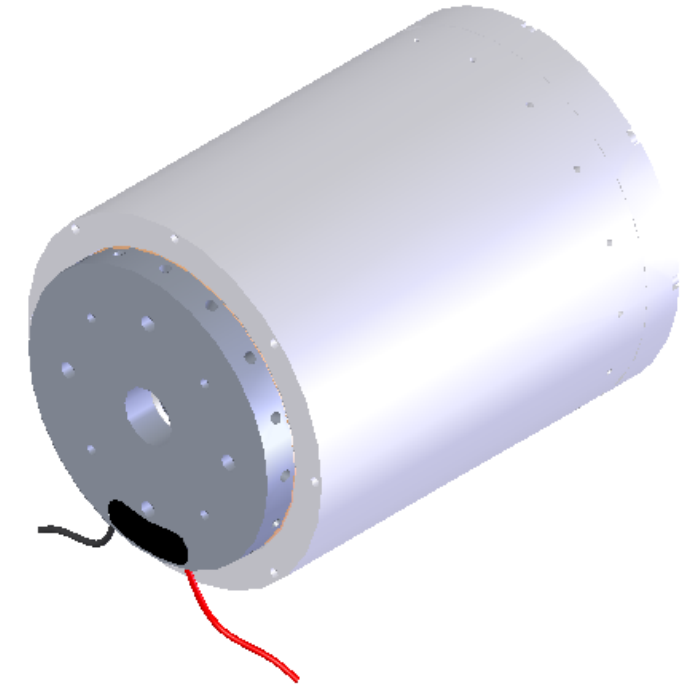


WINDING CONSTANT	TOL	SYM	VALUE	UNITS
DC RESISTANCE	± 10%	R	3.7	OHMS
VOLTAGE @ Fp	NOMINAL	Vp	73.5	VOLTS
CURRENT @ Fp	NOMINAL	Ip	19.9	AMPS
FORCE SENSITIVITY	± 10%	Kf	68.0	N / A
BACK EMF CONSTANT	NOMINAL	Kb	68.0	V/M/Sec
INDUCTANCE*****	± 30%	L	5.8	mH

* 10 sec @ 25C ambient, 150C coil temp.
 ** 25C ambient, 150C coil temp.
 *** In free air.
 **** Measured with 250×250×10mm heat sink.
 ***** Measured with BK PRECISION 875B.

REV	ECO NO.	DESCRIPTION	DRN	APP'D	Q.A.	DATE
X1	---	INITIAL RELEASE	BWZ	WYG	LBQ	07/04/27
X2	100071	UPDATE DATA SHEET TO REFLECT TEST RESULT	BWZ	WYG	LBQ	07/08/10

ACTUATOR PARAMETER	SYM	VALUE	UNITS
PEAK FORCE *	Fp	1351	N
CONTINUOUS FORCE **	Fc	376.8	N
CONTINUOUS FORCE WITH HEAT SINK	Fc	472.4	N
ACTUATOR CONSTANT	Ka	35.3	N/√w
ELECT TIME CONSTANT	Te	1.6	milli-sec
POWER I2R@Fp	Pp	1460.4	W
TOTAL STROKE	S	31.0	mm
CLEARANCE ON SIDE OF COIL	CL	0.5	mm
THERMAL RESISTANCE ***	θth	1.1	C / W
THERMAL RESISTANCE WITH HEAT SINK****	θth	0.7	C / W
MAX WINDING TEMP	Tmax	150	C
WEIGHT OF COIL ASSEMBLY	WTc	1050	g
WEIGHT OF FIELD ASSEMBLY	WTf	7773	g
WEIGHT OF ACTUATOR	WTa	8823	g



2.INSULATION RESISANCE:100 MEGOHMS MINIMUM AT 500 VDC.

1. A POSITIVE(+)VOLTAGE APPLIED TO THE RED LEAD WILL PRODUCE A FORCE ON THE COIL ASSEMBLY IN POSITIVE (+) DIRECTION.

NOTES:UNLESS OTHERWISE SPECIFIED

PROPRIETARY AND CONFIDENTIAL
 THE INFORMATION CONTAINED IN THIS DRAWING IS THE SOLE PROPERTY OF USAS MOTION - SUZHOU, CHINA. ANY REPRODUCTION IN PART OR AS A WHOLE WITHOUT THE WRITTEN PERMISSION OF USAS MOTION - SUZHOU, CHINA IS PROHIBITED.

UNLESS OTHERWISE SPECIFIED:
 DIMENSIONS ARE IN MM
 TOLERANCES:
 ANGULAR: MACH±0° 30'
 ONE PLACE DECIMAL ±0.25
 TWO PLACE DECIMAL ±0.1

INTERPRET GEOMETRIC TOLERANCING PER:
 ANSI Y14.5M-1982.

DO NOT SCALE DRAWING

	NAME	DATE
DRAWN	BWZ	07-04-27
CHECKED		
ENG APPR.	WYG	07-04-27
MFG APPR.		
Q.A.	LBQ	07-04-27

usas motion Suzhou, China

TITLE:
LINEAR ACTUATOR

SIZE	DWG. NO.	REV
B	VLR1351-0310-00A	X2

SCALE: 1: 1 SHEET 1 OF 1